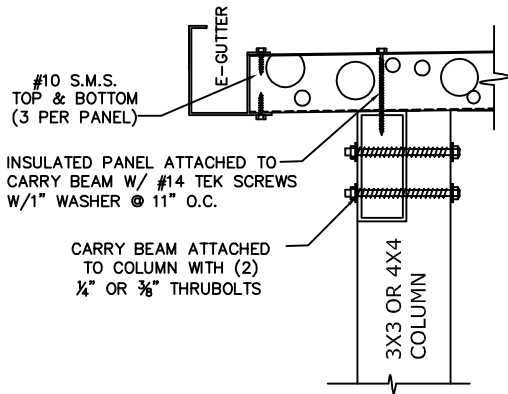
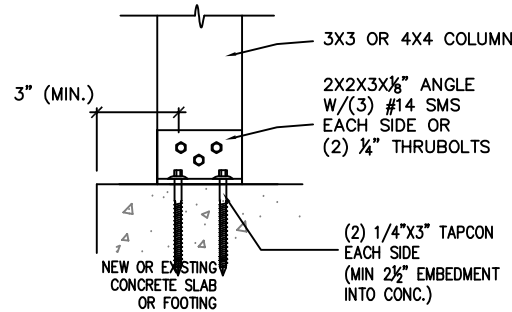


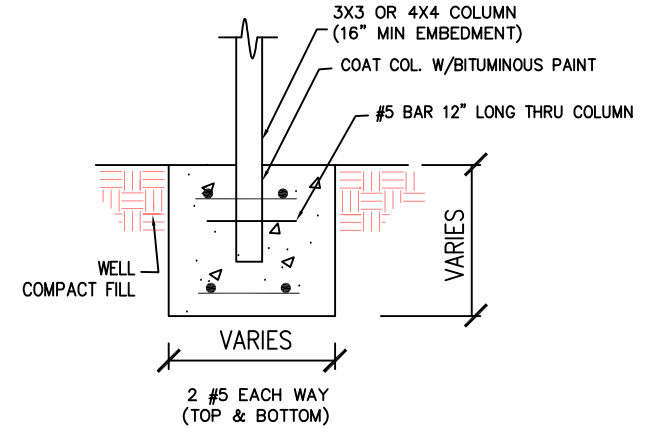
ALUMICENTER INC // MASTER SHEET



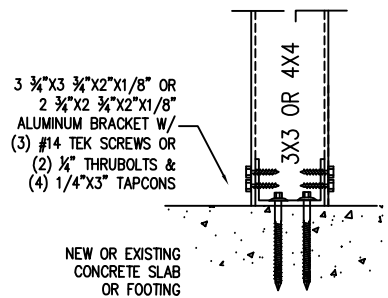
INSULATED PANEL, BEAM & COLUMN ATTACHMENT



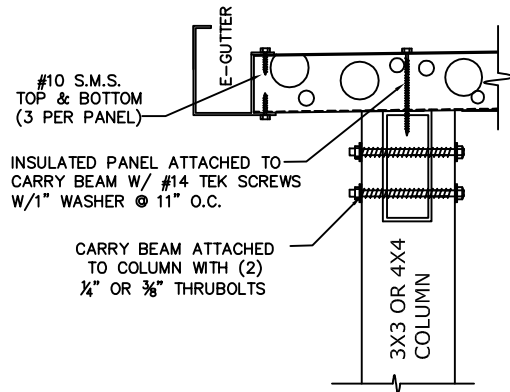
COLUMN ATTACHMENT



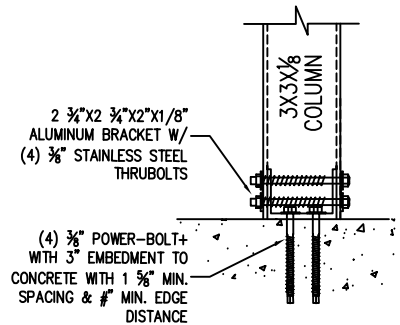
FOOTING DETAIL AND COLUMN ATTACHMENT (FREE-STANDING)



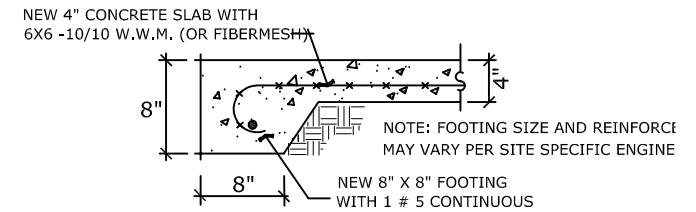
COLUMN ATTACHMENT 2



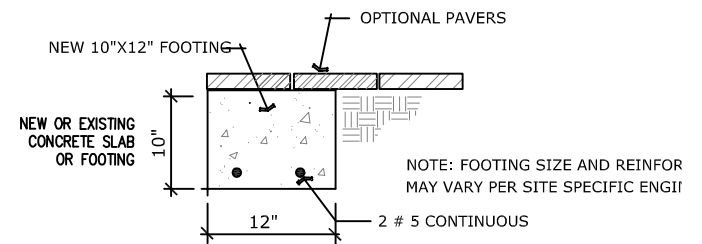
INSULATED PANEL, BEAM & COLUMN ATTACHMENT 2



COLUMN ATTACHMENT 3

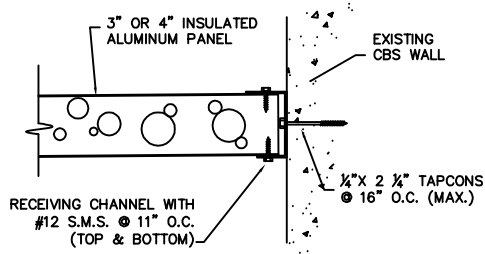


SLAB AND FOOTING DETAIL

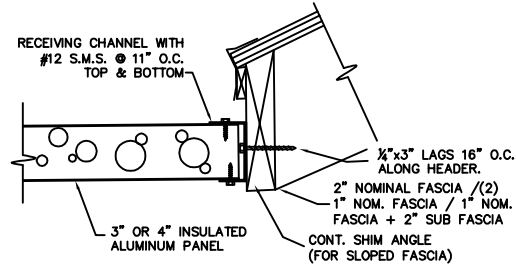


STRIP FOOTING DETAIL

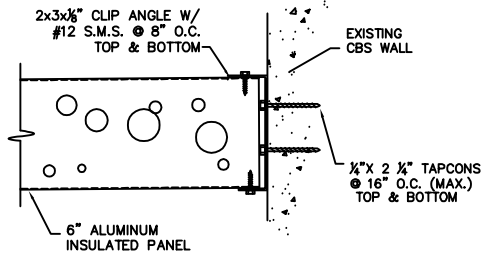
ALUMICENTER INC // MASTER SHEET



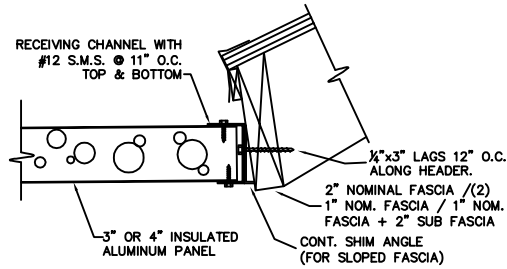
INSULATED PANEL TO CBS WALL



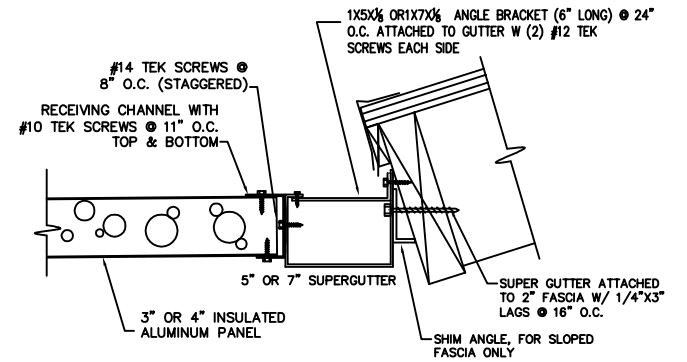
INSULATED PANEL TO FASCIA



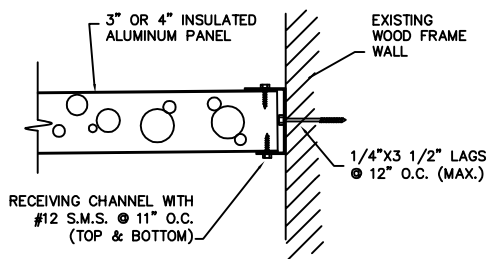
6\"/>



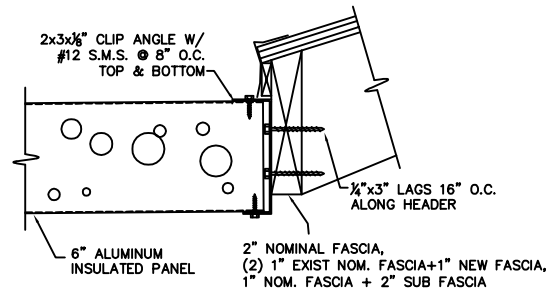
INSULATED PANEL TO FASCIA



INSULATED PANEL TO SUPERGUTTER & FASCIA



INSULATED PANEL TO FRAME WALL



6\"/>

THIS MASTER SHEET IS TO BE USED A REFERENCE ONLY.
A SITE-SPECIFIC ENGINEERING MAY BE REQUIRED
WHEN FILING FOR A BUILDING PERMIT.